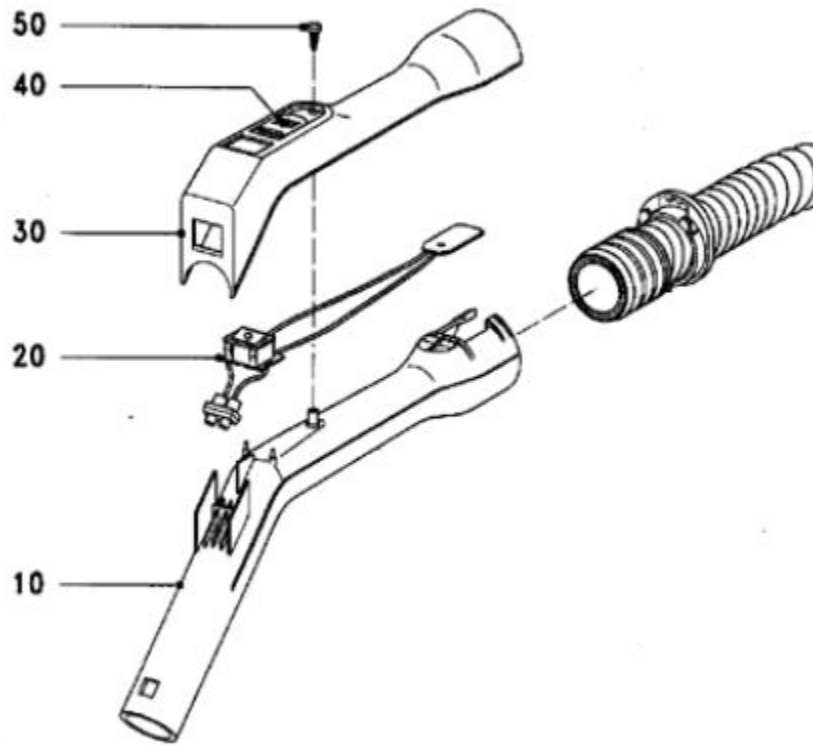




1038 Lancaster Road  
Manheim, PA 17545  
800-413-2778  
Ristenbatt.com



**Tap or click on the item number to go to it on our website.**

The hose handle can be opened by removing the small screw behind the slide and popping the slide off. Then pull the front of the angular top upward near the receptacle to remove it from the main part of the handle. When reassembling the hose handle, push inward on the receptacle so it is behind the small upper ledge in the angled cover to prevent it from being pulled forward when unplugging the cord.

- 10 03697380 Tubular Hose Handle
- 20 03682772 Switch & Receptacle Assembly
- 30 03766500 Hose Handle Top Cover (*no longer available*)